

# TM9-N

**PROTEKT**<sup>®</sup>

NEW

**Lightweight aluminum  
safety tripod**



**Made  
in Poland**

**3 BALL-BEARING  
ROLLERS IN HEAD**

**CE EN 795/B:2012  
TS 16415/B**



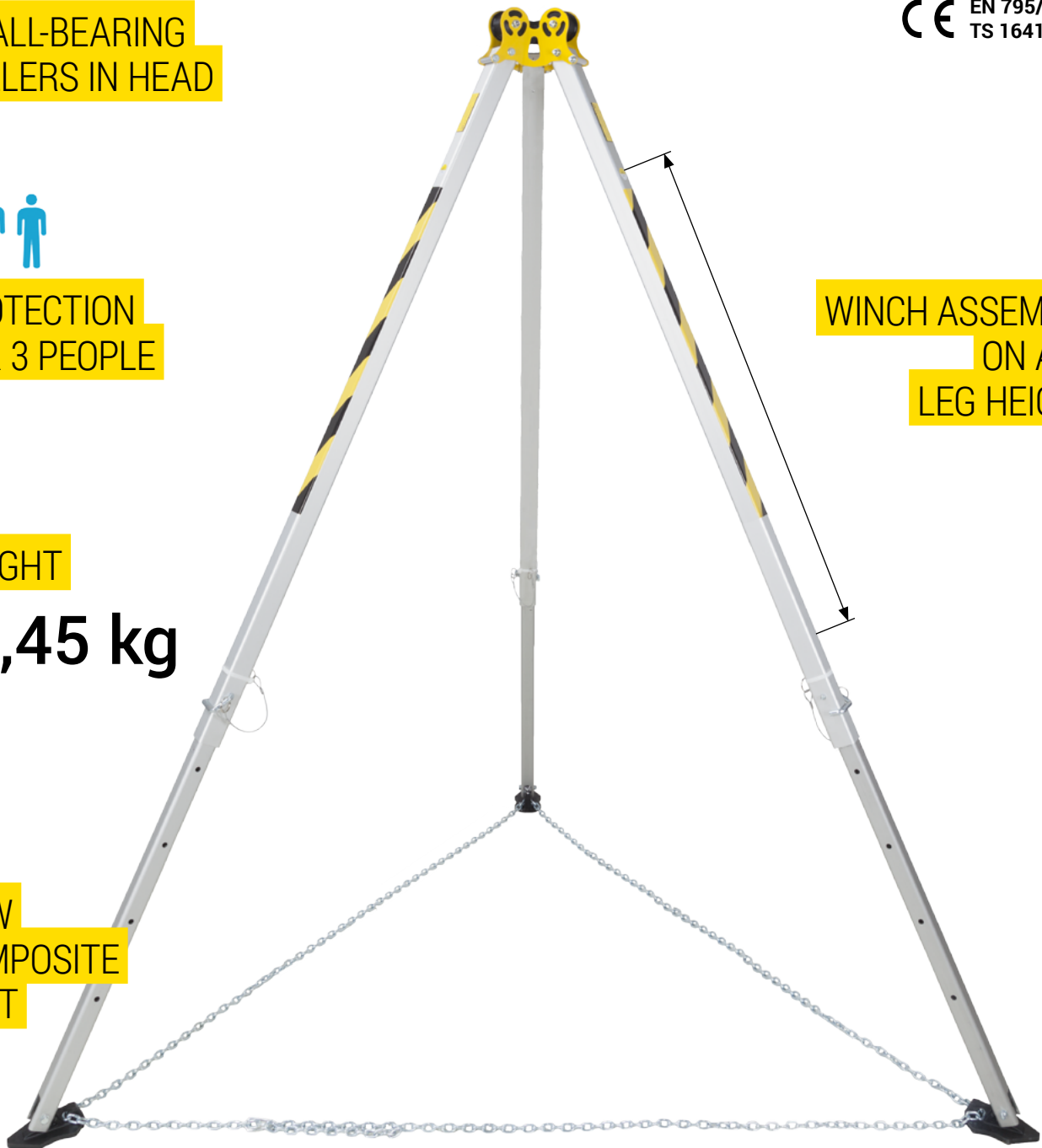
**PROTECTION  
FOR 3 PEOPLE**

**WINCH ASSEMBLY  
ON ANY  
LEG HEIGHT**

**WEIGHT**

**15,45 kg**

**NEW  
COMPOSITE  
FEET**

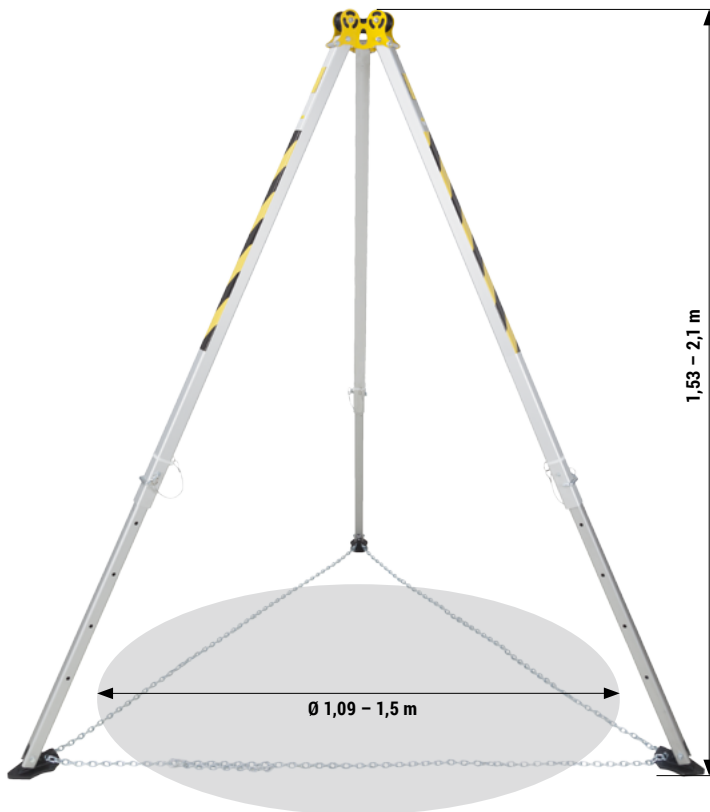


**PROTEKT**<sup>®</sup>

**OFFICE** - Skromna 6, 93-405 Lodz, POLAND / **CORRESPONDENCE ADDRESS** - PROTEKT, Starorudzka 9, 93-403 Lodz, POLAND  
**SALES DEPARTMENT** Phone +48 42 29-29-500, export@protekt.com.pl, fax +48 42 680-20-93  
**WAREHOUSE** - Gombrowicza 6, 93-405 Lodz, POLAND

**WWW.PROTEKT.PL**

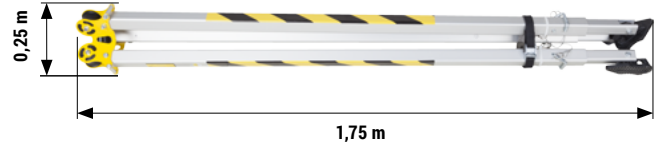
# Description and technical data



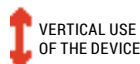
The head is made of powder-coated galvanised steel and has 3 ball-bearing rollers for guiding the work rope on rescue or lifting devices



New composite feet



## SPECIAL FEATURES



## PARAMETERS

Material:	aluminum powder coated galvanized steel polyamid composite
Height:	1,53 m – 2,1 m
Opening diameter under tripod:	1,09 m – 1,5 m
Leg spacing:	2 m
Device weight:	15,45 kg
Anchor points on head:	3
Transport dimensions:	1,75 x 0,25 x 0,25 m

The lightweight aluminum safety tripod TM9-N is an anchor point compliant with the EN795/B and TS 16415/B norms and can be used as a component of fall protection equipment. The TM9-N tripod provides protection for up to 3 people simultaneously.

The TM9-N tripod consists of a powder-coated steel head, equipped with 3 ball-bearing polyamide rollers (for guiding the work rope of evacuation devices (CRW200 / CRW300 / RUP502-U / RUP504 / RUP505 / RUP506).

The head is also equipped with 3 anchor points located on the sides of the head. Each of these points can be used as an anchor point for fall protection equipment. One such point can only be used by 1 user at a time.

# Devices cooperating

**UNIVERSAL UTB HOLDER**  
**ENABLES COOPERATION**  
**WITH RUP AND CRW SERIES**  
**DEVICES**

**PAD 100-310**  
 adaptor to CRW 200



+

**CRW 200**  
 fall arrest device and a rescue lifting



**PAD 100-320**  
 adaptor to CRW 300



+

**CRW 300**  
 fall arrest device and a rescue lifting

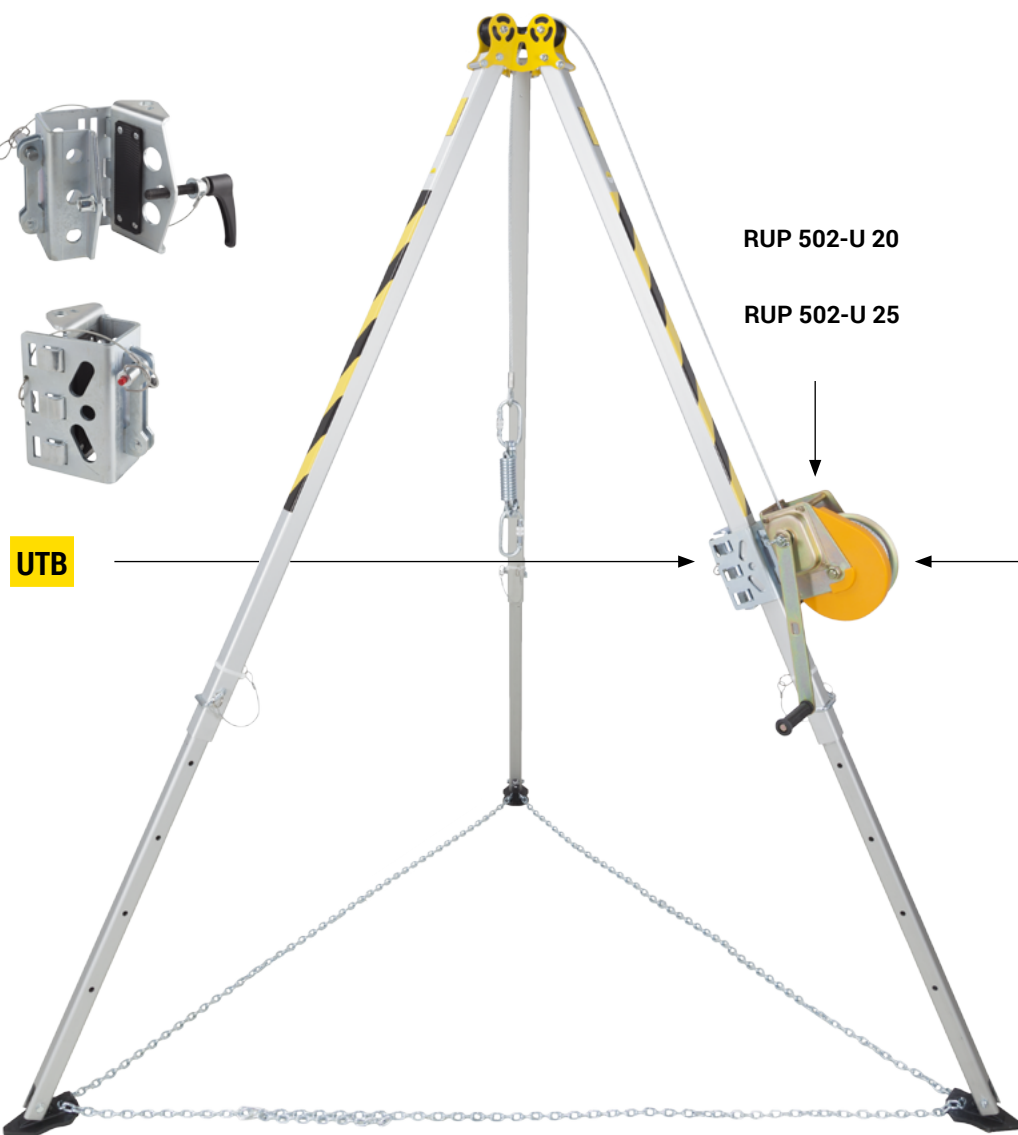


**RUP 504**  
 cable single-phase 230V electric winch



**RUP 502-U 20**

**RUP 502-U 25**



**RUP 506**  
 cable battery powered winch



**RUP 505-U**  
 evacuation capstan



**UTB**

# Comparison tripods



PROTECTION  
FOR ONE PERSON

WEIGHT  
17 KG

MOUNTED  
INSIDE TRIPOD

## TM9

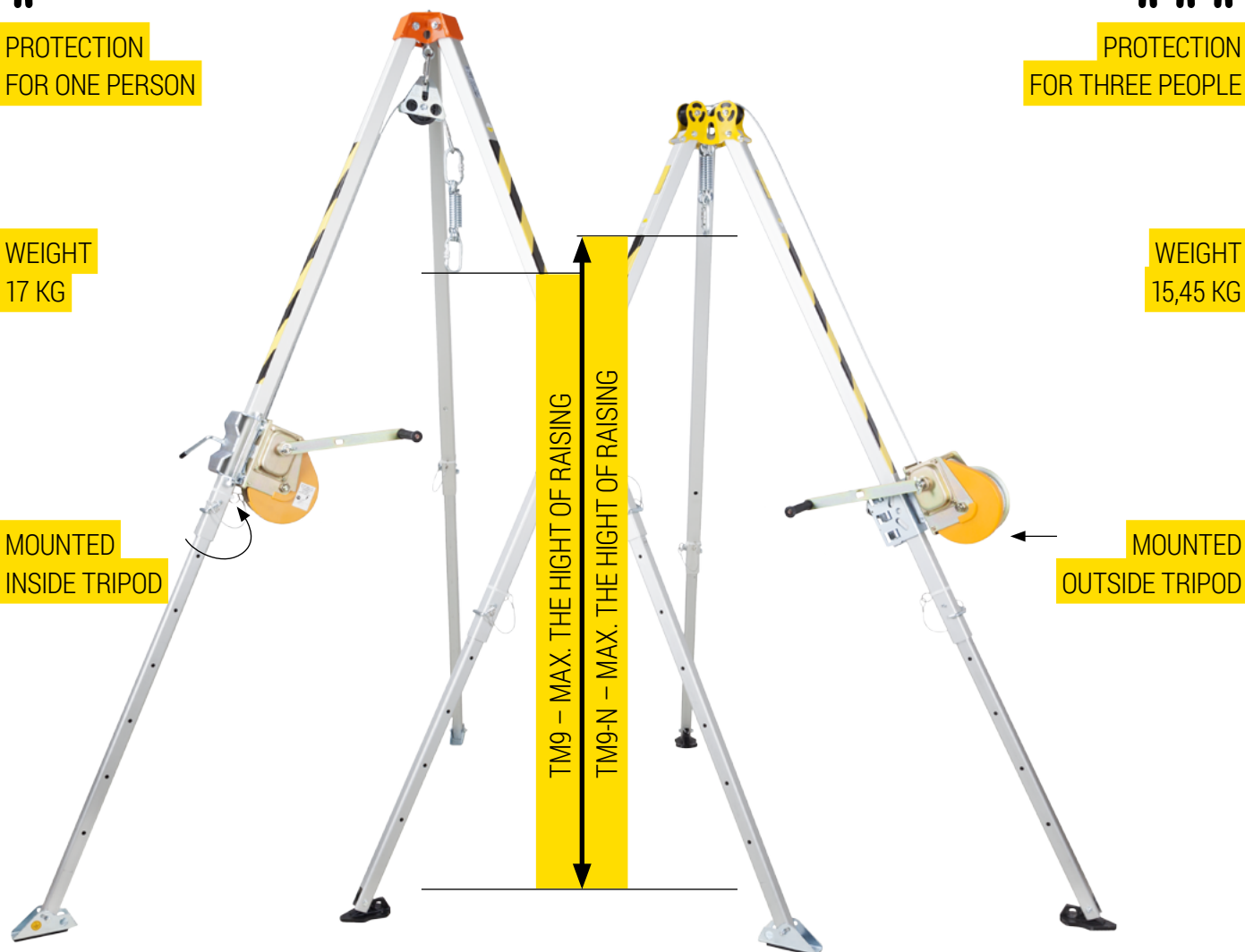
## TM9-N



PROTECTION  
FOR THREE PEOPLE

WEIGHT  
15,45 KG

MOUNTED  
OUTSIDE TRIPOD



- The new TM9-N tripod is lower than the TM9 tripod. Nevertheless, it is possible to raise the injured person higher.
- The TM9-N tripod provides more space inside the tripod, because the winch is installed on the outside of the leg.
- The new UTB handle allows mounting the winch at any height of the outer leg.
- Mounting the work rope on the PL101 pulley in the TM9 tripod requires removing the link from the pulley, which lengthens the preparation process.
- The TM9-N tripod is ~1 kg lighter than the TM9.
- The TM9 tripod was designed for max. 1 person, while the TM9-N can be used by max. 3 people.

COMPARISON OF THE BASIC PARAMETERS	TM9	TM9-N
Height under the head:	1,47 – 2,29 m	1,53 – 2,1 m
Hole above which a tripod can be placed:	1,19 – 2,13 m	1,09 – 1,5 m
Max. leg spacing at max. tripod height:	1,82 m	1,28 m
Min. leg spacing at min. tripod height:	1,19 m	0,93 m