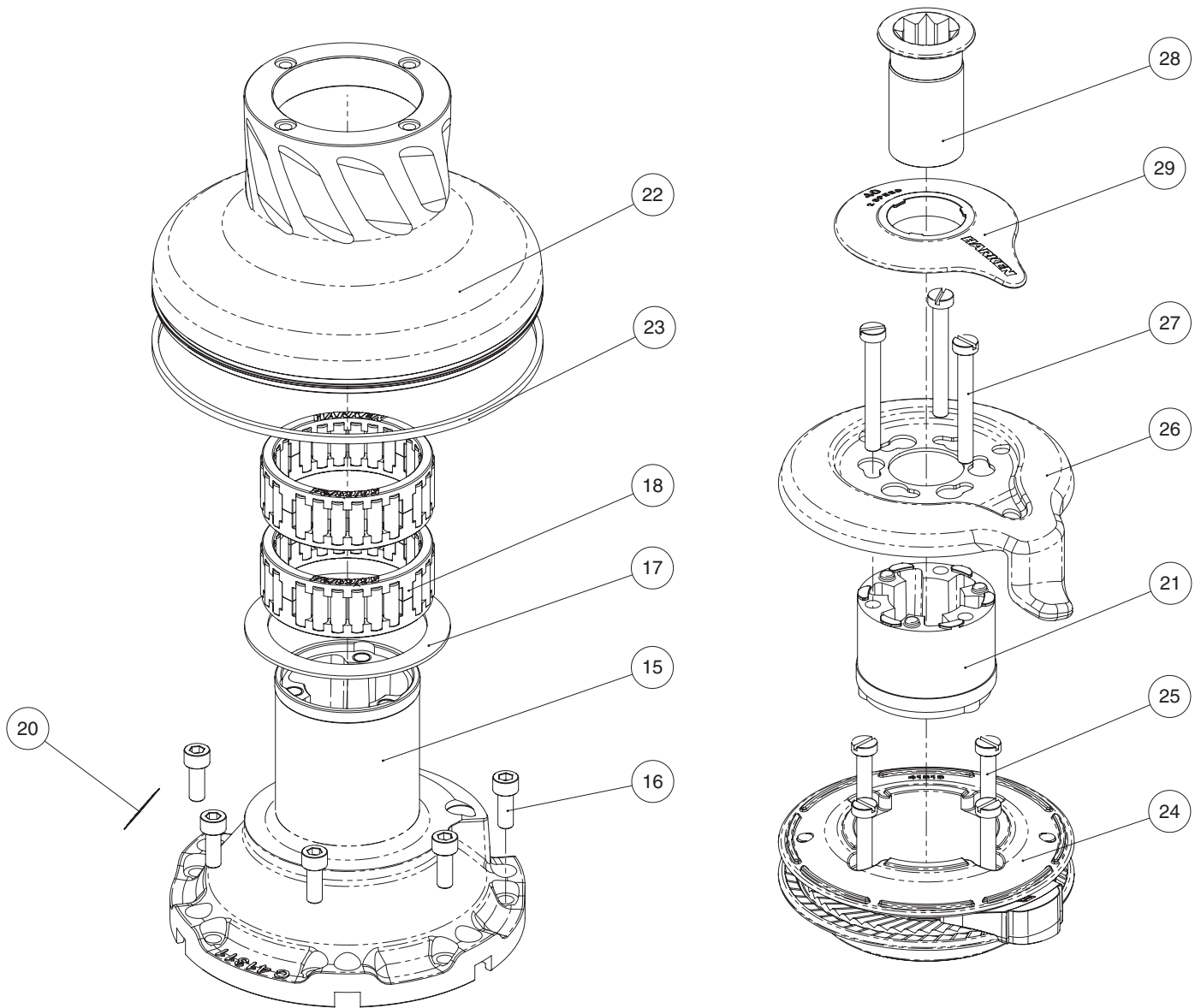
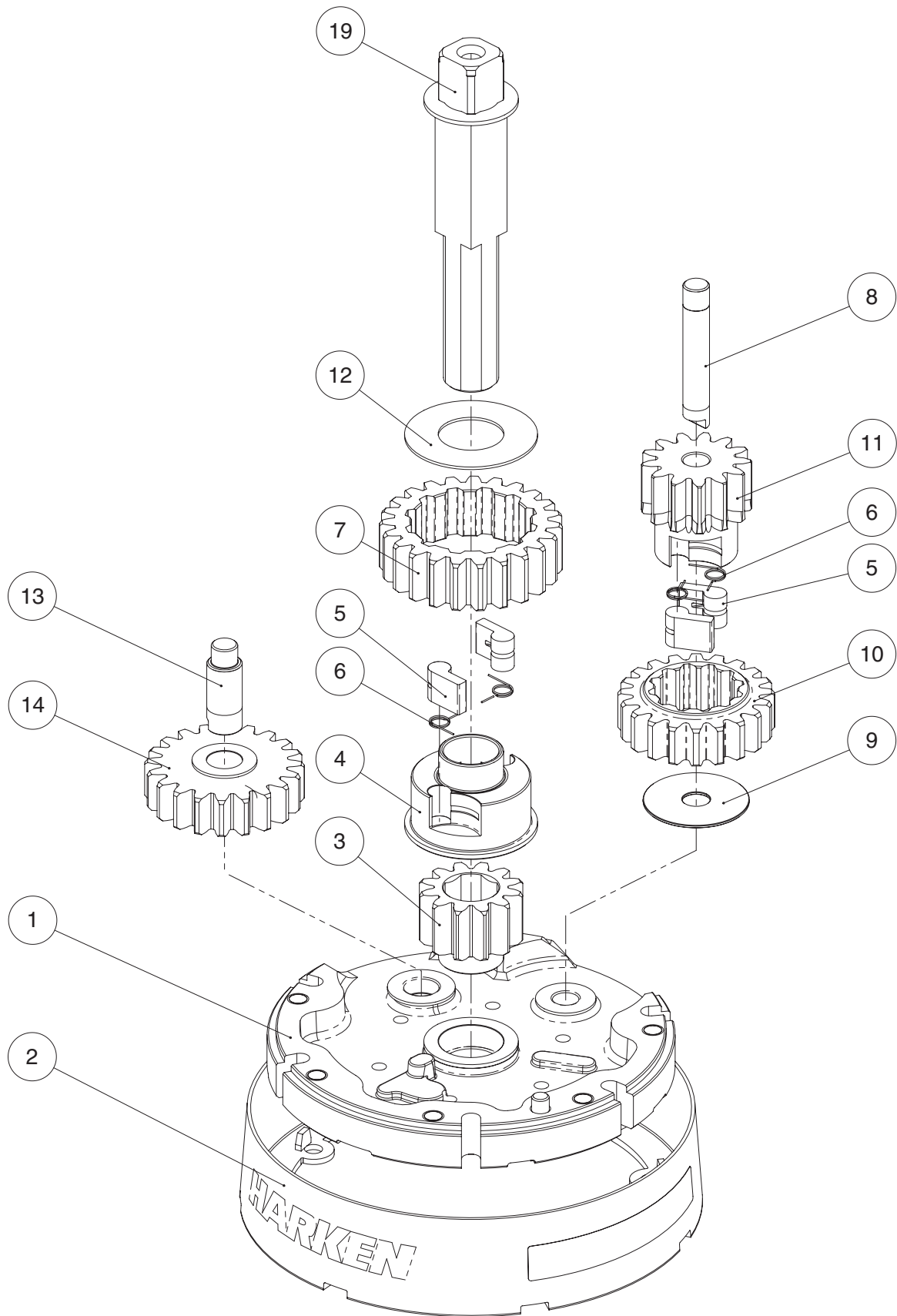


Exploded view

Radial Winch 40.2 STA, STC, STCW



Radial Winch 40.2 STA, STC, STCW

Parts List

Radial Winch 40.2 STA

A= drum in anodised aluminium

Pos.	Q.ty	Code	Description	Pos.	Q.ty	Code	Description
1	1	A94141300	Winch 40 Base Assy <i>Base W40 Heli-coil M6x9 Roller Ø6x19</i>	16	6	M0635103	Socket head screw M6x16 UNI 5931
	1	S413350080	<i>Bushing Ø22xØ25x9.5</i>	17	1	S413150082	Washer Ø62xØ80x1.5
	1	S4152300A7	<i>Bushing Ø9xØ11x12</i>	18	2	A74136000	Bearing Ø56xØ68x24
	1	S413960085	<i>Bushing Ø12xØ14x11</i>	19	1	A94139000	Assy Central Shaft W35/40 <i>Central shaft W35/40 ST Washer Ø17.2xØ32x1.5</i>
2	1	A94141400	Assembly Skirt Winch 40 <i>Skirt W40 Winch Product Sticker**</i>	20			Winch Serial Number Sticker
3	1	S413020004	Gear Z12	21	1	S4129400A0	Stripper arm Housing
4	1	S413030004	Pawls Carrier Ø8xN2	22	1	S414170053	Drum A W40
5	4	S000080003	Pawl Ø8*	23	1	S281680097	Red line
6	4	S000380001	Pawl Spring Ø8*	24	1	A94131800	Assy Winch 40 Jaws <i>Lower Jaw W35/40 Upper Jaw W35/40 Peeler W20 - 40 SPRING</i>
7	1	S412830041	Gear Z23		1	S413610080	
8	1	S413000004	Pin Ø9x55		4	S385970001	
9	1	S279090002	Washer Ø36xØ9,5x1	25	4	M0601803	Screw UNI EN ISO 1207:1996 - M6x35 - A4
10	1	S412970004	Gear Z20	26	1	S414200019	Stripper Arm W35/40
11	1	S412850041	Pinion Z13	27	3	M6007103	Screw M6x50 UNI6107
12	1	S413120002	Washer Ø22.5xØ45x1	28	1	A94136400	Assy Socket W20-80 <i>Socket Handle W20/80 Washer Ø7.7xØ25x5.8 Screw M8x20 UNI 6109</i>
13	1	S413070004	Pin Ø9-Ø12x32.5		1	S415130085	
14	1	A94130500	Assy Gear Z20 <i>Gear Z20</i>		1	M0614303	
	2	S414900080	<i>Bushing Ø12xØ14x8</i>	29	1	S4141900A5	Cover 2 speed W40
15	1	A94141500	Assy Housing Winch 40 <i>Housing W40</i>				
	2	S414890080	<i>Bushing Ø9xØ11x7 Heli-coil M6x9</i>				
	1	S4130900A7	<i>Bushing Ø22xØ25x8.5</i>				

*Available with service kit; see website www.harken.com

**Winch product sticker

